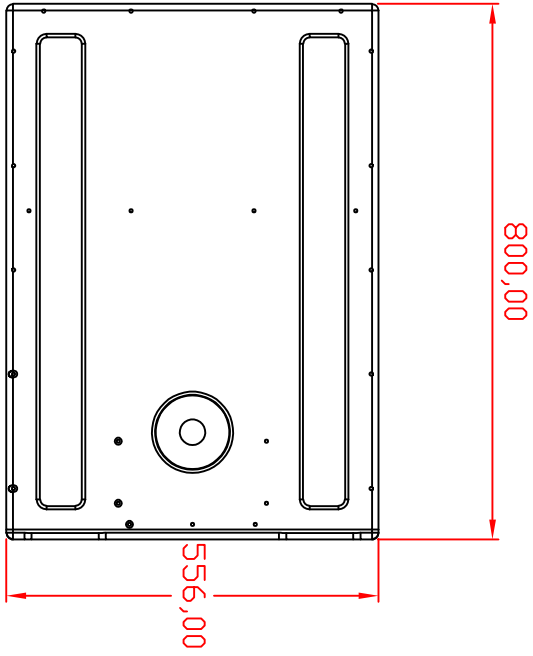
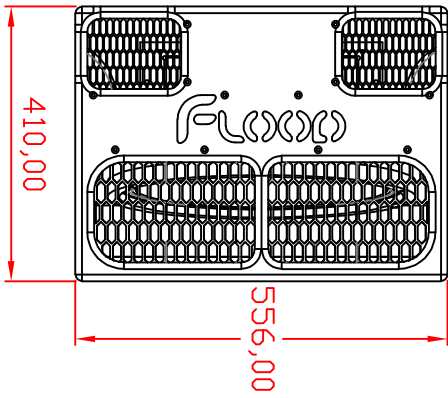


TOP



Front



Lateral

