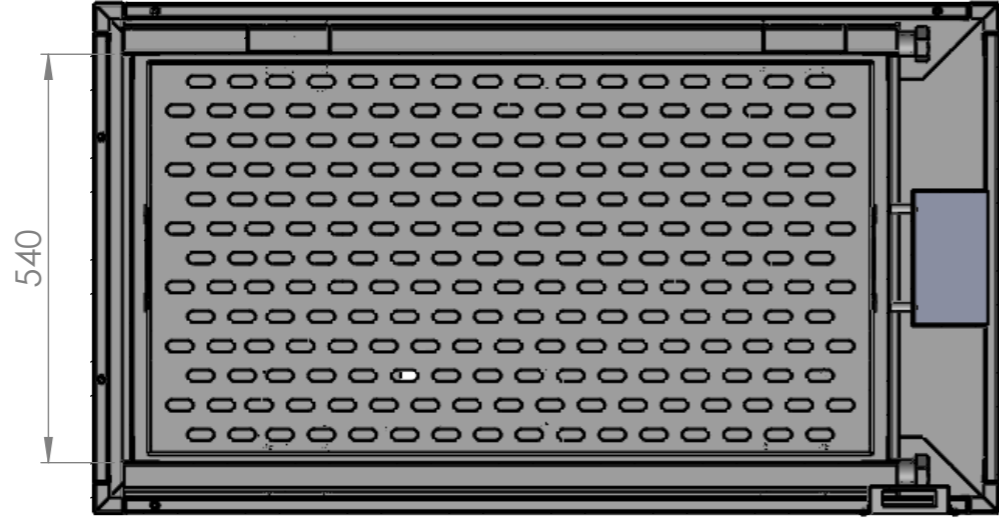
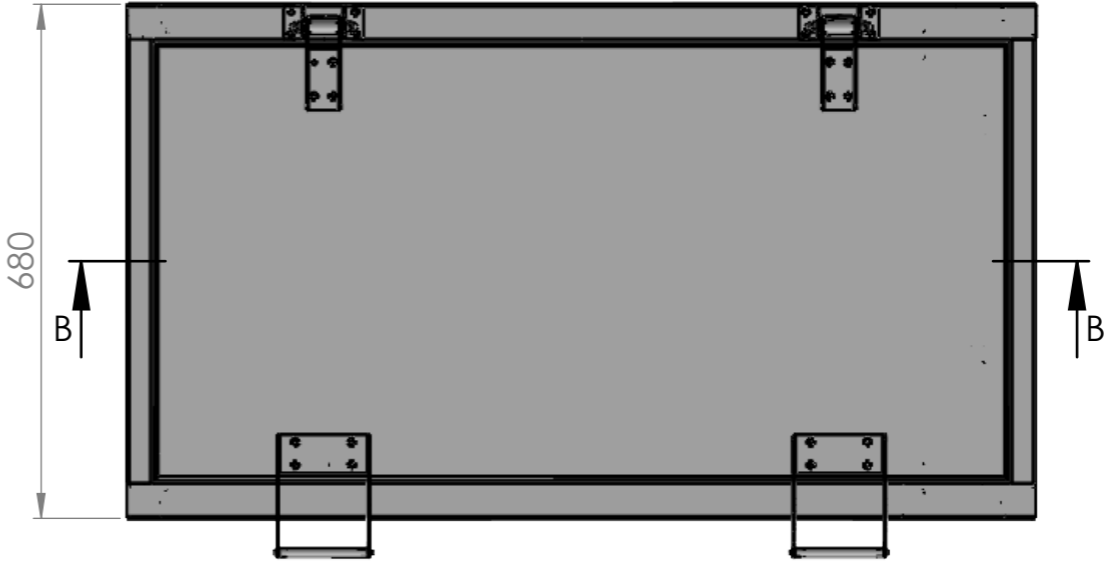
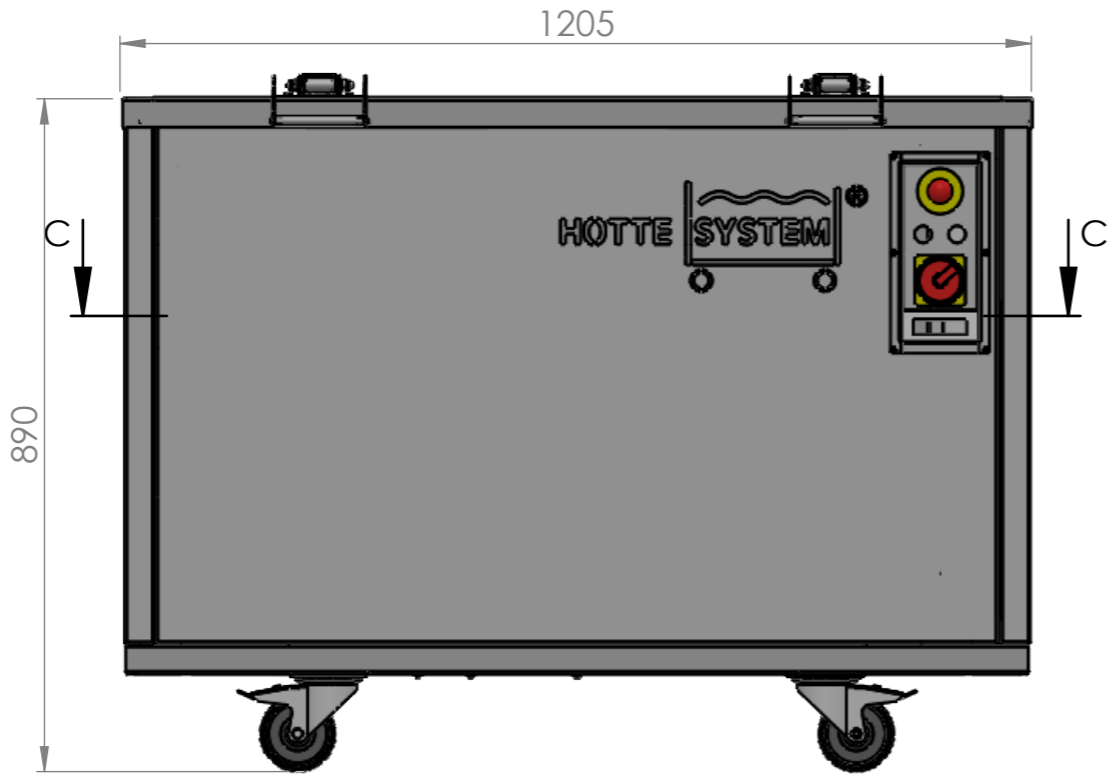
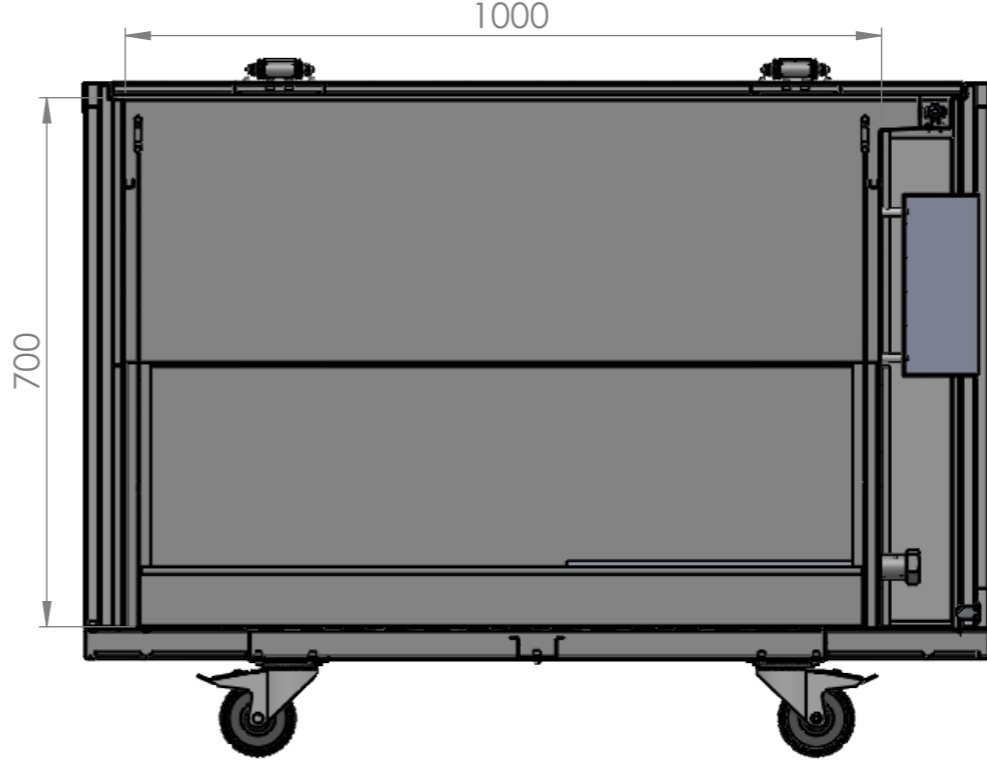


HTS1057



SECTION C-C



SECTION B-B