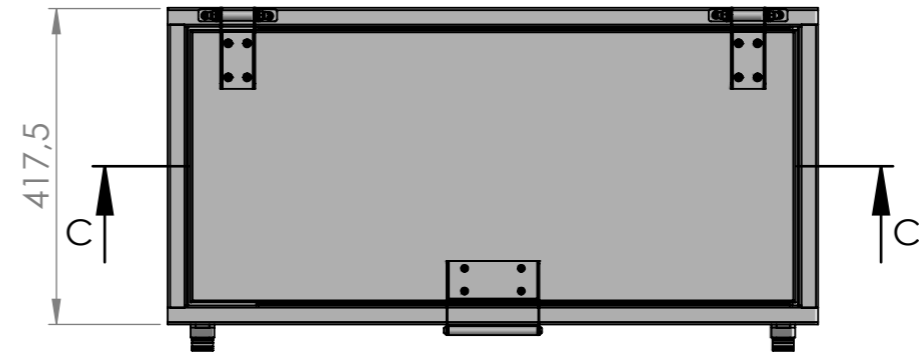
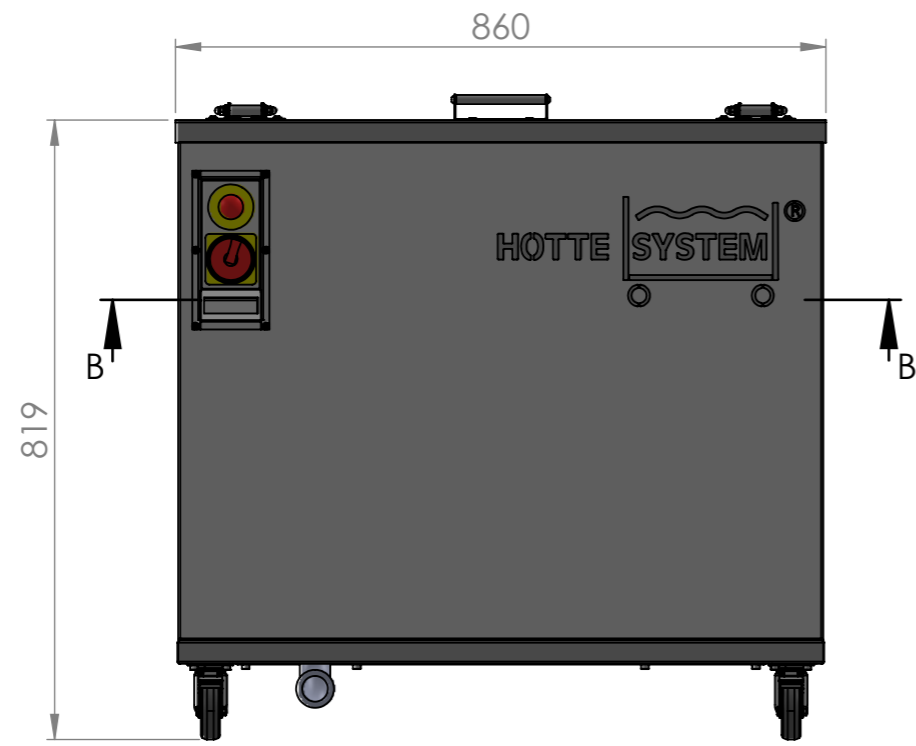
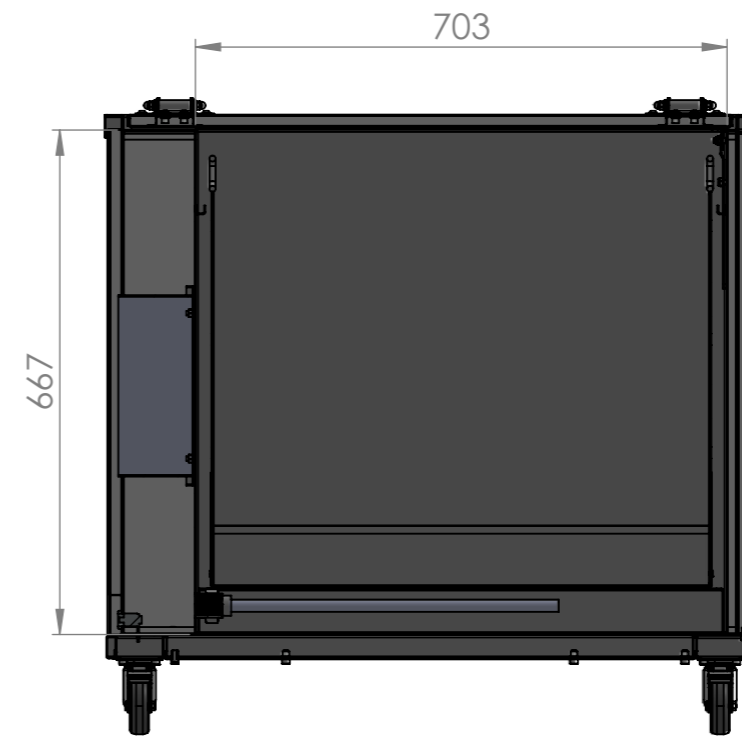


HTS736



SECTION B-B



SECTION C-C